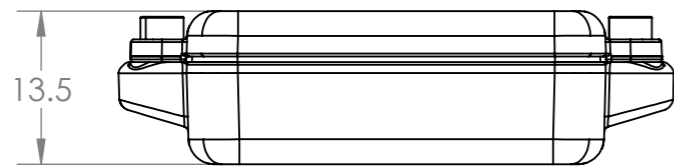


8 7 6 5 4 3 2 1

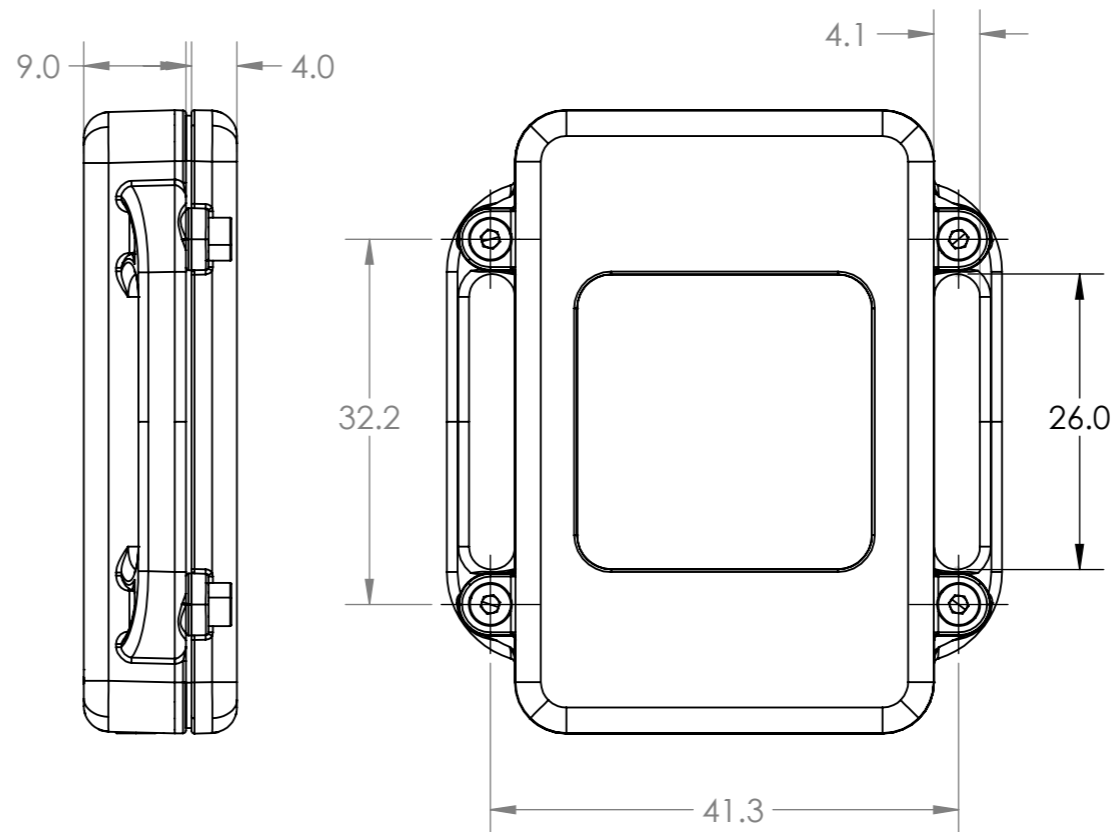
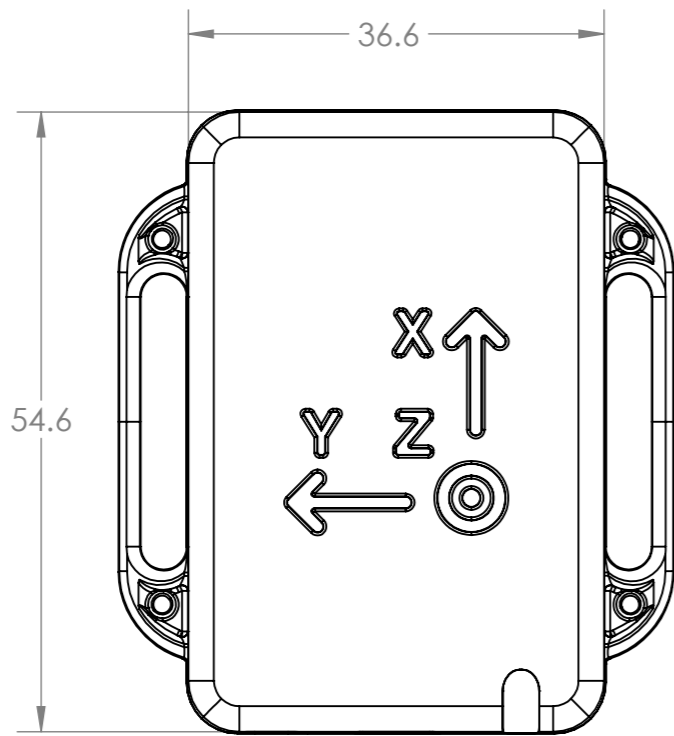
F

F



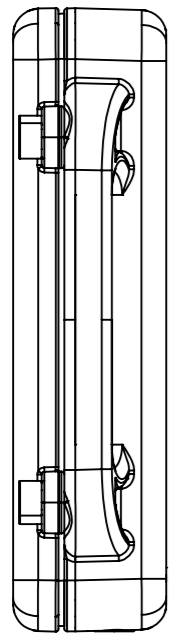
E

E



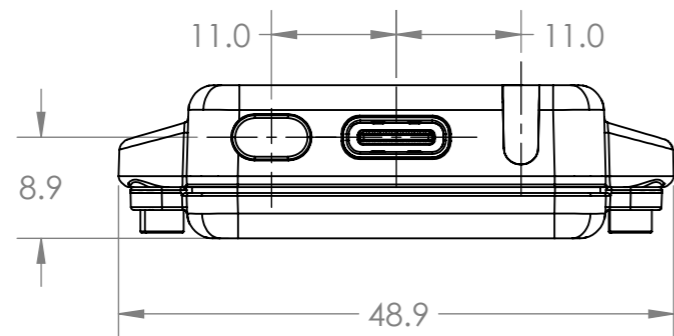
D

D



C

C



B

B

UNLESS OTHERWISE SPECIFIED: DIMENSIONS ARE IN MILLIMETERS SURFACE FINISH: TOLERANCES: LINEAR: ANGULAR:			FINISH:		DEBURR AND BREAK SHARP EDGES		DO NOT SCALE DRAWING		REVISION		
DRAWN						TITLE:					
CHK'D											
APPV'D											
MFG											
Q.A						MATERIAL:		DWG NO.		A3	
						WEIGHT:		SCALE:2:1		SHEET 1 OF 1	
								x-IMU3 Housing			

A

A

8 7 6 5 4 3 2 1