

8 7 6 5 4 3 2 1

F

F

E

E

D

D

C

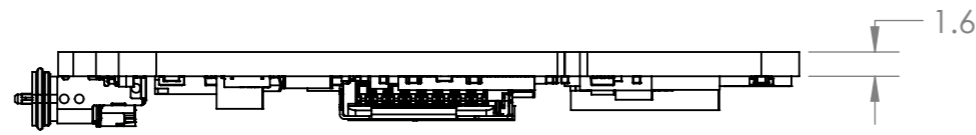
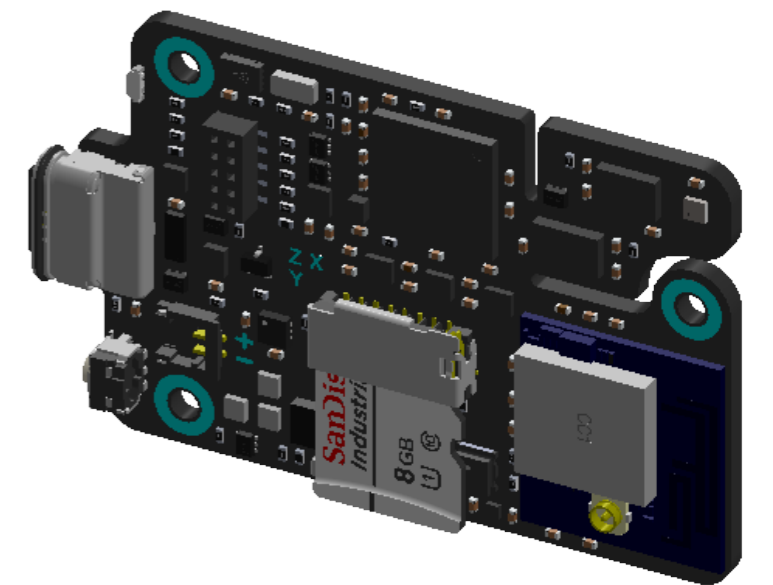
C

B

B

A

A



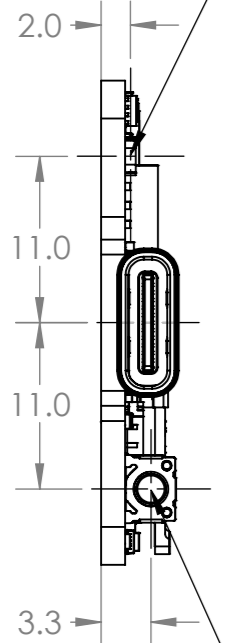
Gyroscope & Accelerometer

LED

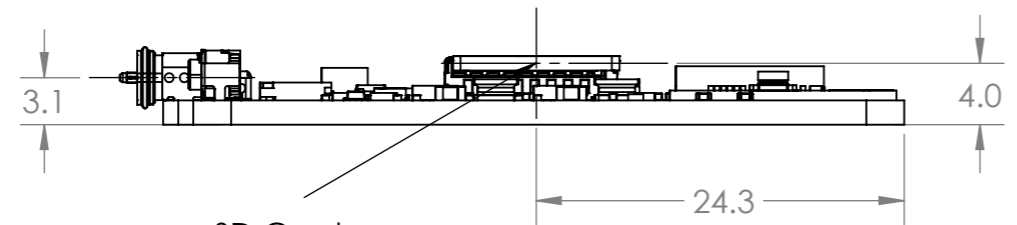
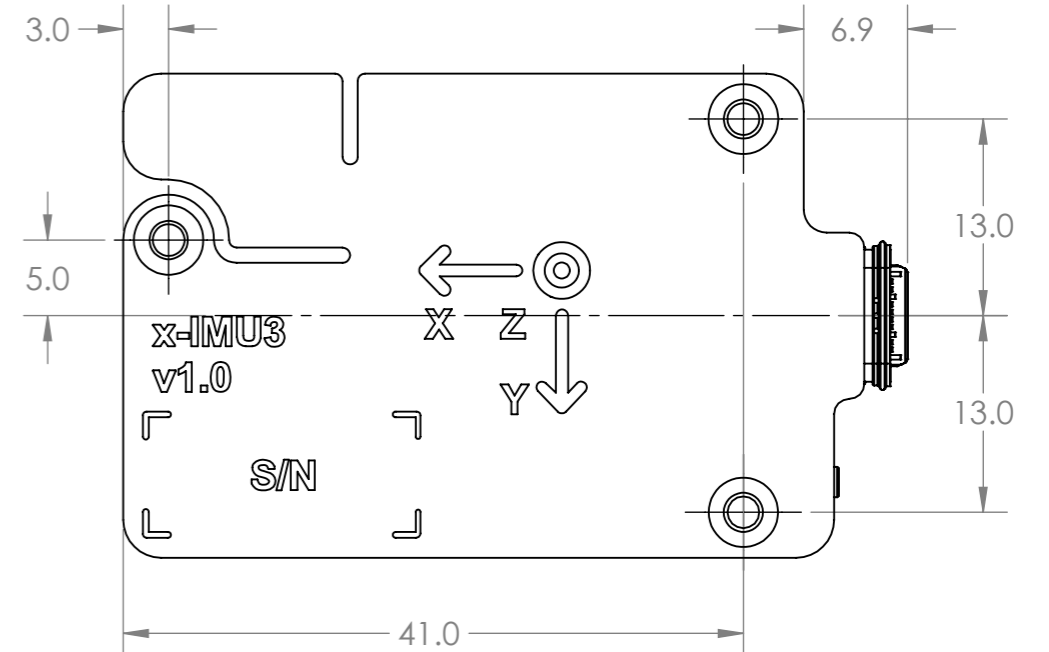
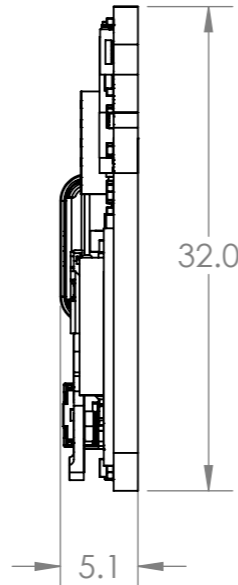
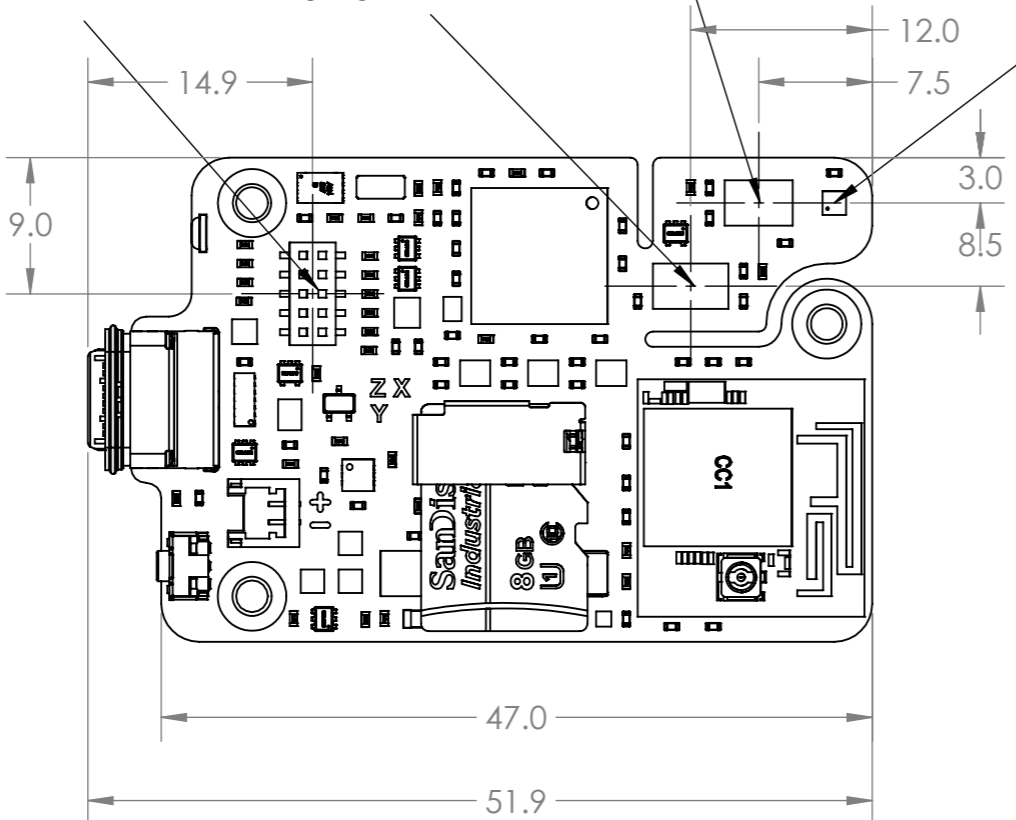
Serial Header

High-g Accelerometer

Magnetometer



Power Button



SD Card

UNLESS OTHERWISE SPECIFIED: DIMENSIONS ARE IN MILLIMETERS SURFACE FINISH: TOLERANCES: LINEAR: ANGULAR:				FINISH:		DEBURR AND BREAK SHARP EDGES		DO NOT SCALE DRAWING		REVISION	
DRAWN								TITLE:			
CHK'D											
APPV'D											
MFG											
Q.A								MATERIAL:		DWG NO.	
								WEIGHT:		SCALE:2:1	
								x-IMU3 Board		A3	
								SHEET 1 OF 1			

8 7 6 5 4 3 2 1