

1 2 3 4 5 6

A

A

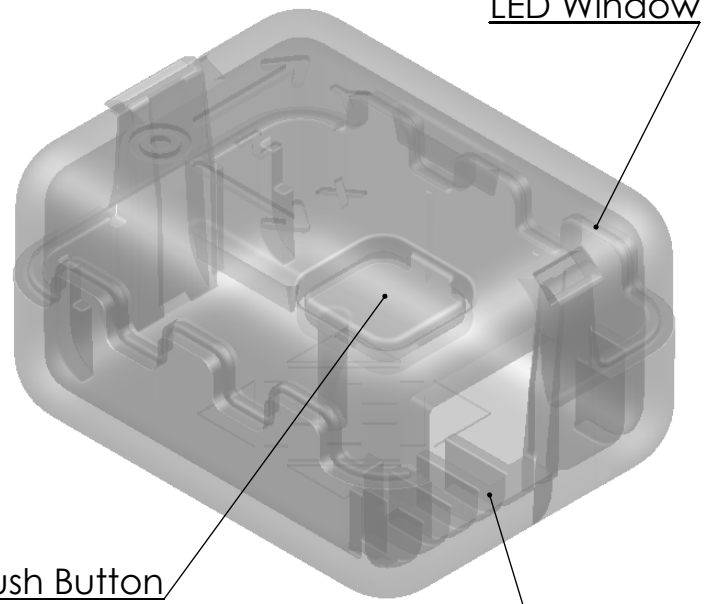
B

B

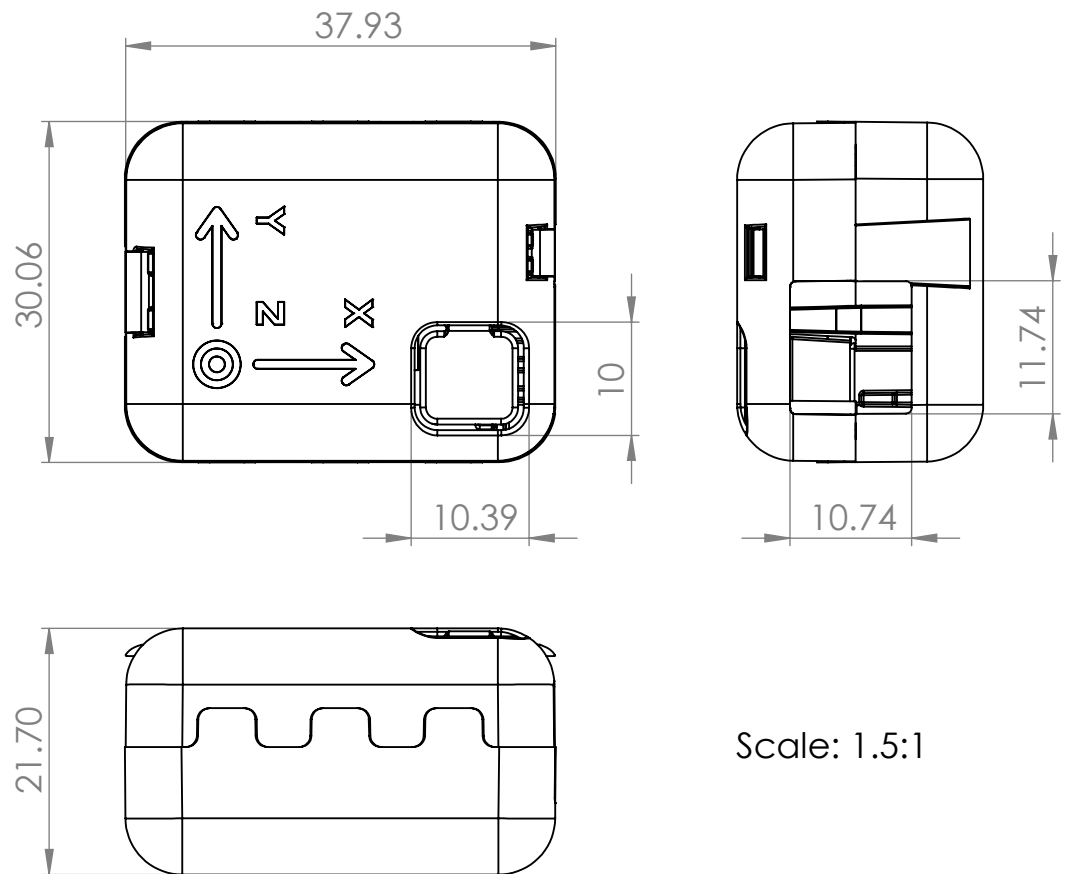
C

C

D



Scale: 2:1



Scale: 1.5:1

UNLESS OTHERWISE SPECIFIED: DIMENSIONS ARE IN MILLIMETERS SURFACE FINISH: TOLERANCES: LINEAR: ANGULAR:				FINISH:		DEBUR AND BREAK SHARP EDGES		DO NOT SCALE DRAWING		REVISION	
								TITLE:			
DRAWN				SIGNATURE		DATE					
CHK'D											
APPV'D											
MFG											
Q.A						MATERIAL:		DWG NO.		A4	
								x-BIMU Housing			
						WEIGHT:		SCALE:2:1		SHEET 1 OF 1	

1 2 3 4 5 6